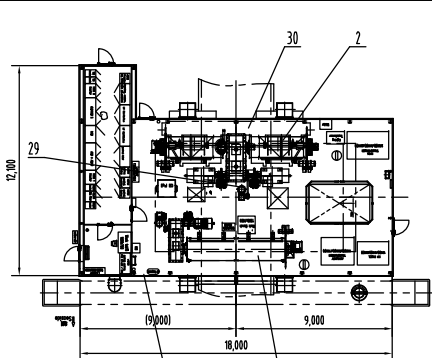
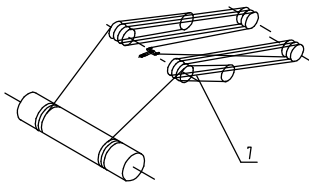
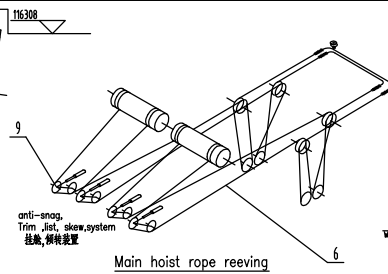


Boom hoist rope reeving

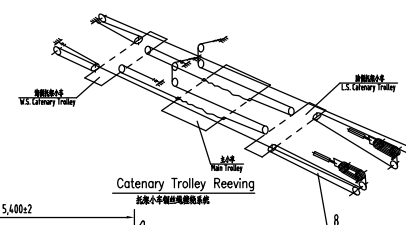
臂吊绳绕图



E.Room and M.Room
机房和电气房(1:150)

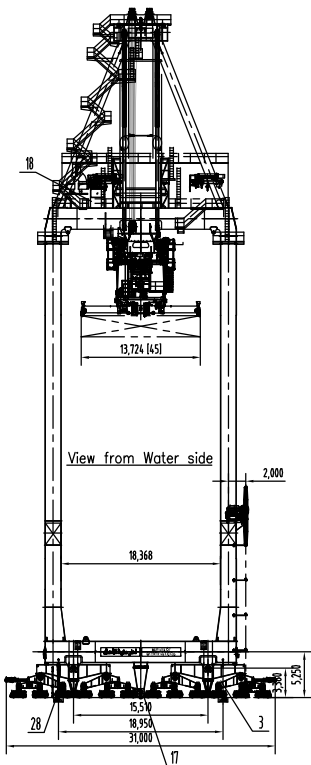


Main hoist rope reeving
起升绳绕图

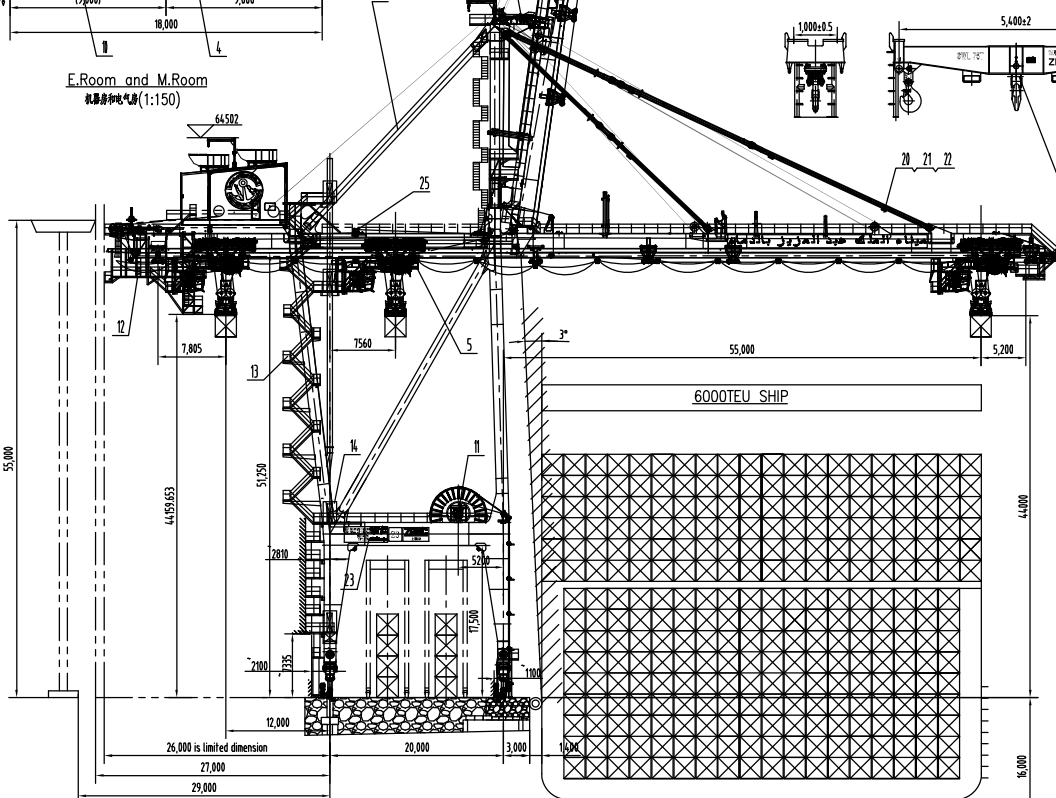


Catenary Trolley Reeving
此架小平顶起吊系统

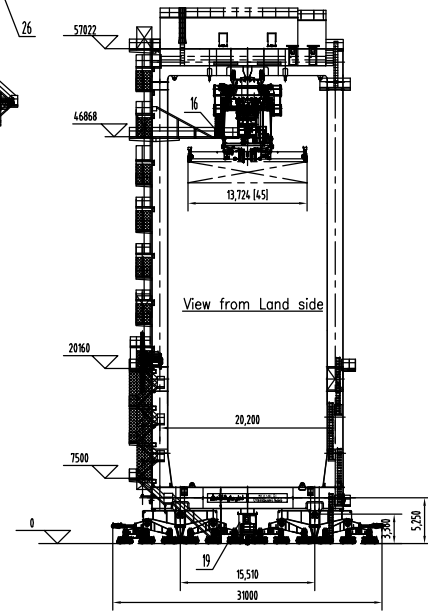
Rated Capacity		Under Spreader	35T/30m	40T/30m	55T/30m	65T/30m
Speeds	Main Hoist	75T/30m				
	Trolley	with rated load 60 m/min				
	Empty Spreader	120 m/min				
Motors	Gantry	200m/min				
	Boom Hoisting Time(single)	45 m/min				
Rail Gauge	Main Hoist	~5 min				
	Trolley	2X500kw 750/1500rpm				
	Gantry	4X55kw 1450rpm				
	Boom Hoist	24X12.5kw 1750rpm				
Out reach	200kw	200kw 1750rpm				
	55m	55m				
	50m	50m				
Back reach	38m	38m				
	30m	30m				
Height of lift	Above rail	44 m				
	Total	60 m				
Spreader with load	Trim	± 3°				
	List	± 5°				
	Skew	± 3°				
Power	13.8KV, 3φ, 60Hz					
Gantry rail type	A100					



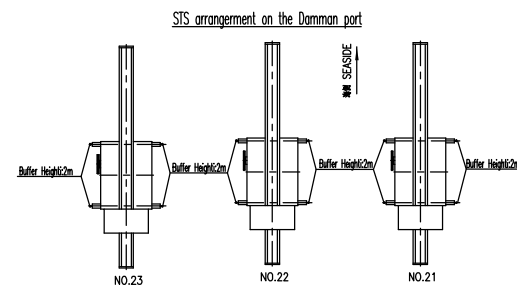
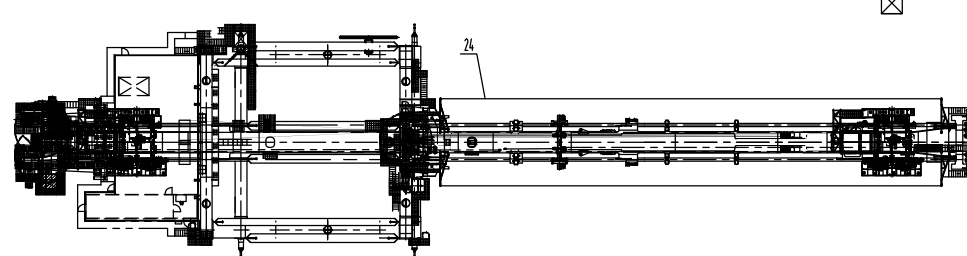
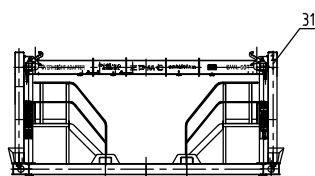
View from Water side



6000TEU SHIP



View from Land side



STS arrangement on the Dam part

NO.23

NO.22

NO.21